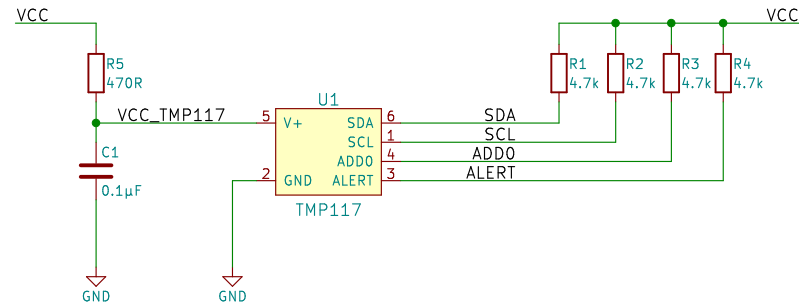


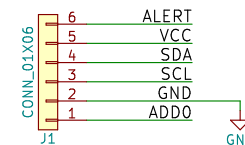
SENSOR



NOTES

1. For Default I2C Address (0x49), leave ADD0 Pin unconnected.
2. For the first alternative I2C address (0x48), connect ADD0 Pin to GND.
3. For the second alternative I2C address (0x4A), connect ADD0 Pin to SDA.
4. For the third and final alternative I2C address (0x4B), connect ADD0 Pin to SCL.
5. The sensor can operate with 3.3V or 5V on VCC Pin.
6. Mounting Holes (2.8mm) are designed for M2.5 Screws (ISO metric).
7. The sensor employed in this board it the TMP117NAIDRVR.
8. The Thermal Pad under the TMP117 was left unsoldered and electrically unconnected.
9. Have Fun!

HEADER



Sheet: /
File: TMP117_V2.sch

Title: TMP117 High Accuracy Temperature Sensor

Size: A4 Date: 2019-11-21

Rev: 1.00

KiCad E.D.A. kicad 4.0.7

Id: 1/1