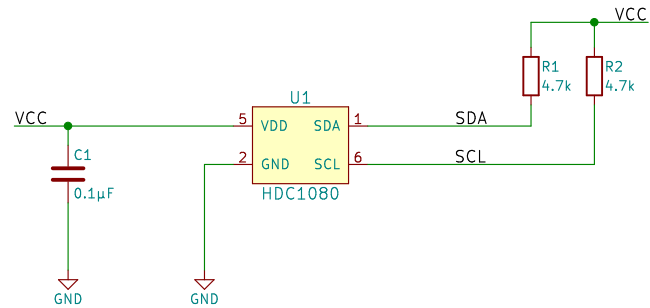


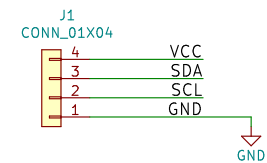
## SENSOR



## NOTES

1. The HDC1080 has a single I2C Address (0x40).
2. The sensor can operate with 3.3V or 5V on VCC Pin.
3. Mounting Holes (2.8mm) are designed for M2.5 Screws (ISO metric).
4. The Thermal Pad under the HDC1080 was left unsoldered and electrically unconnected.
5. Have Fun!

## HEADER



**BlueDot**

Sheet: /  
File: HDC1080\_V1.sch

**Title: HDC1080 Low-Power Humidity Sensor**

Size: A4 Date: 2020-07-19

KiCad E.D.A. eeschema (5.1.6)-1

Rev: 1.00

Id: 1/1